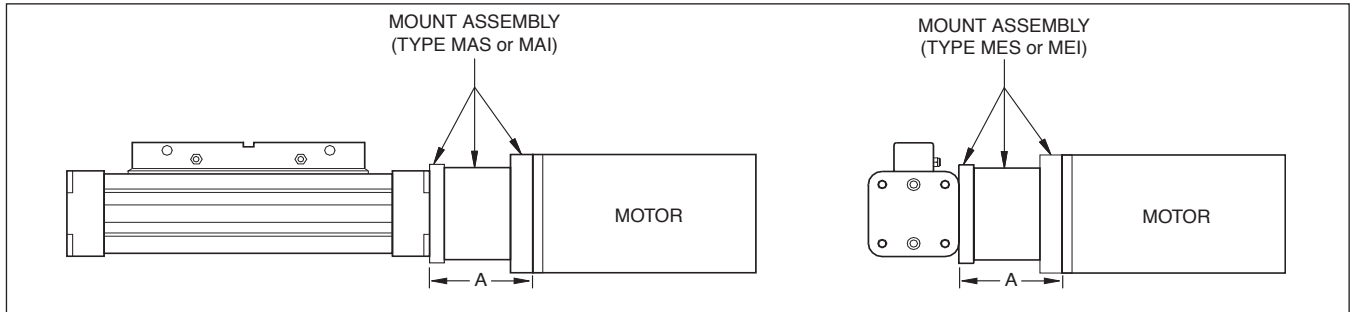
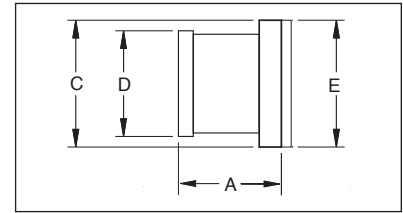


Motor Mounts 158-159

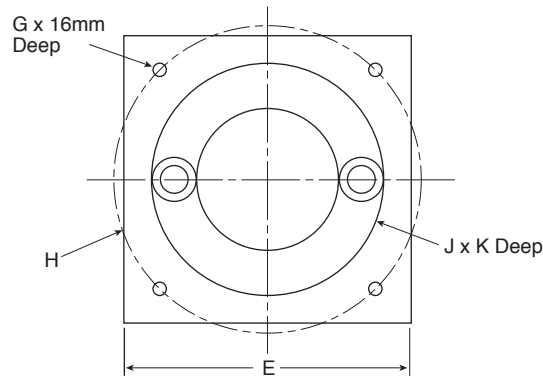
The coupling housing is the mounting base for the motor and includes a self aligning coupling.

Motor flanges and couplings suitable for the available range of servo and stepper motors will be found together with technical data and dimensions on motors and drives, see separate data sheet.



Motor Mount	Motor Shaft Diameter	Size	Type	Motor Type	A	C	D	E
MES-2504	14mm	25	Belt	Metric 04	95.7	70	70	70
MES-3204	14mm	32	Belt	Metric 04	86.7	70	70	70
MES-5004	14mm	50	Belt	Metric 04	86.7	70	90	70
MES-5008	16mm	50	Belt	Metric 08	114.7	90	90	90
MEI-2523	.250"	25	Belt	Nema 23	76.7	70	70	70
MEI-3234	.375"	32	Belt	Nema 34	88.7	90	70	90
MEI-5034	.375"	50	Belt	Nema 34	83	90	90	90
MGM-3234	.750"	32	Belt	Nema 34	88.7	90	70	90
MGM-5034	.750"	50	Belt	Nema 34	88.7	90	90	90
MAS-2501	8mm	25	Screw	Metric 01	51.4	42	42	42
MAS-3204	14mm	32	Screw	Metric 04	86.7	70	70	70
MAS-5004P	14mm	50	Screw	Metric 04P**	88.7	90	90	90
MAS-5008	14mm	50	Screw	Metric 08	88.7	90	90	90
MAI-2517	5mm	25	Screw	Nema 17	51.4	42	42	42
MAI-3223	.250"	32	Screw	Nema 23	76.7	70	70	70
MAI-5034	.375"	50	Screw	Nema 34	88.7	90	90	90
MAS-5008P	16mm	50	Screw	Metric 08P**	88.7	120	90	120
MEI-5042	.625"	50	Belt	Nema 42	88.7	120	90	120
MAI-3101	.500"	32	Screw	Nema 34	86.7	90	70	90
MAI-3234	.375"	32	Screw	Nema 34	86.7	90	70	90
MEI-3223	.250"	32	Belt	Nema 23	76.7	70	70	70
MAI-2523	.250"	25	Screw	Nema 23	51.4	70	42	70
MGM-3223	.500"	32	Belt	Nema 23	76.7	70	70	70
MGM-5034S	.750"	50	Screw	Nema 34	88.7	90	90	90
MGM-3223S	.500"	32	Screw	Nema 23	86.7	70	70	70
MES-3208	14mm	32	Belt	Metric 08	88.7	90	90	90

Dimensions are for reference purposes only
 Nema mounts match IMS stepper motors or equivalent
 Metric mounts match Yaskawa SGM Servo motors or equivalent
 *Drilled & counterbored for 4-40 socket head cap screw from opposite side
 MGM = Gearbox mount



Motor Mount	Size	Type	Motor Type	G	H	J	K
MES-2504	25	Belt	Metric 04	10-32 UNF	70	50	3.5
MES-3204	32	Belt	Metric 04	10-32 UNF	70	50	3.5
MES-5004	50	Belt	Metric 04	10-32 UNF	70	50	3.5
MES-5008	50	Belt	Metric 08	10-32 UNF	90	70	3.5
MEI-2523	25	Belt	Nema 23	10-32 UNF	66.68	38.1	2
MEI-3234	32	Belt	Nema 34	10-32 UNF	98.42	73.08	2
MEI-5034	50	Belt	Nema 34	10-32 UNF	98.42	73.08	2
MGM-3234	32	Belt	Nema 34	10-32 UNF	98.42	73.08	2
MGM-5034	50	Belt	Nema 34	10-32 UNF	98.42	73.08	2
MAS-2501	25	Screw	Metric 01	M4	46	30	3
MAS-3204	32	Screw	Metric 04	10-32 UNF	70	50	3.5
MAS-5004P	50	Screw	Metric 04P**	10-32 UNF	90	70	3.5
MAS-5008	50	Screw	Metric 08	10-32 UNF	90	70	3.5
MAI-2517	25	Screw	Nema 17	*	43.8	22	2.5
MAI-3223	32	Screw	Nema 23	10-32 UNF	66.68	38.1	2
MAI-5034	50	Screw	Nema 34	10-32 UNF	98.42	73.08	2
MAS-5008P	50	Screw	Metric 08P**	M8 X125	145	110	4
MEI-5042	50	Belt	Nema 42	.25-20 UNC	127	55.58	2
MAI-3101	32	Screw	Nema 34	10-32 UNF	98.42	73.08	2
MAI-3234	32	Screw	Nema 34	10-32 UNF	98.42	73.08	2
MEI-3223	32	Belt	Nema 23	10-32 UNF	66.68	38.1	2
MAI-2523	25	Screw	Nema 23	10-32 UNF	66.68	38.1	2
MGM-3223	32	Belt	Nema 23	10-32 UNF	66.68	38.1	2
MGM-5034S	50	Screw	Nema 34	10-32 UNF	98.42	73.08	2
MGM-3223S	32	Screw	Nema 23	10-32 UNF	66.68	38.1	2
MES-3208	32	Belt	Metric 08	10-32 UNF	90	70	3.5

Dimensions are for reference purposes only
 Nema mounts match IMS stepper motors or equivalent
 Metric mounts match Yaskawa SGM Servo motors or equivalent
 *Drilled & counterbored for 4-40 socket head cap screw from opposite side
 MGM = Gearbox mount

1	2	3	4	5	6
series	bore	lead	shaft	mount	double mount
E Electric	0 20	0 belt	0 right (belt)	0 if double (all and BHD)	0 if single (all and BHD)
	2 25	1	1 left (belt)	1 std mnt (nr20) (all and BHD)	1 std mnt (nr20) (all and BHD)
H Heavy Duty	3 32	2 5mm BS	2 double (belt)	2 floating mount (nr25) (all)	2 floating mount (nr25) (all)
	5 50	3	3	3 invert mount (nr30) (all)	3 invert mount (nr30) (all)
Roller Guide (BHD)		4 10mm BS	4 BHD Integrated Gearbox 3:1**	4 invert float mount (nr35) (all)	4 invert float mount (nr35) (all)
		5	5 BHD Integrated Gearbox 5:1**	5 slideline (Ball Screw Only)	5 slideline (Ball Screw Only)
		6 25mm BS	6 BHD Integrated Gearbox 10:1**	6 powerslide ps25 (25)	6 ps25 (one mount, two carriages)(25)
		7	7	7 powerslide ps35 (25,32)	7 ps35 (one mount, two carriages)(25,32)
R Heavy Duty		8	8	8 powerslide ps44 (25,32)	8 ps44 (one mount, two carriages)(25,32)
		9	9	9 powerslide ps60 (50)	9 ps60 (one mount, two carriages)(50)
Ball Guide (BHD-II)		A BP (belt Bi-parting)	A STD (screw)	A powerslide ps76 (50)	A ps76 (one mount, two carriages)(50)
		B	B 2 end (screw)	B	B
		C	C	C	C
		D	D Clamp Shaft-Right (BHD, BV)	D	D
S Extending Rod		E	E Clamp Shaft-Left (BHD, BV)	E	E
		F	F Clamp Shaft-Close (BHD)	F	F
Ball Screw (OSP-SBR)		G	G Clamp Shaft-Open (BHD)	G	G
		H	H Plain Shaft-Right (BV)	H	H
		J	J Plain Shaft-Left (BV)	J	J
V Belt Rack Drive (OSP-BV)		K	K Hollow Shaft-Right (BHD, BV)	K	K
		L	L Hollow Shaft-Left (BHD, BV)	L	L
		M	M Hollow Shaft-Close (BHD)	M	M
		N	N Hollow Shaft-Open (BHD)	N	N
		P	P Clamp Shaft-Right-IS (BHD, BV)*	P	P
		Q	Q Clamp Shaft-Left-IS (BHD, BV)*	Q Proline/GDL (all)	Q Proline/GDL (all)
		R	R Clamp Shaft-Close-IS (BHD)*	R	R
		S	S Clamp Shaft-Open-IS (BHD)*	S	S
		T	T Obsolete (BHD)	T	T
		U	U Obsolete (BHD)	U OSP-BV Reserved	U
		V	V Obsolete (BHD)	V OSP-BV Size 20	V
		W	W Obsolete (BHD)	W OSP-BV Size 25	W
		X	X Double Plain Shaft-Right (BV)	X	X
		Y	Y Double Plain Shaft-Left (BV)	Y HD Heavy Duty Series Screw (25,32,50)	Y
		Z special	Z special	Z special	Z special

Drive Shaft Options (OSP-E)

0 = Standard
 1 =
 2 =

Actuating Direction Options - BHD

Right D, K and P = Standard
 Left E, L and Q =
 Close F, M and R = Standard Bi-Parting
 Open G, N and S =

Shaft Options Example:

*For use with intermediate shaft
 **Consult factory before ordering
 ***All Options in Box are for Column 4 - Shaft

7*	8	9*	10	11	12	13	14	15	16	17	18
motor mount	screws & coating	support	center support qty	switch	switch qty	stroke (mm)					
0 none and Standard BHD	0 std	0 none and BHD	0 none	0 none	0	-	0	0	0	0	0
1 mes-2504 (belt)(25)	1 stainless hardware	1		1 no reed KL3045 (all)		-					
2 mes-3204 (belt)(32)	2 xylan coated aluminum	2		2 nc reed KL3048 (all)		-					
3 mes-5004 (belt)(50)	3 stainless/xylan	3		3 pnp KL3054+4041 (all)		-					
4 mes-5008 (belt)(50)	4 purge ports	4		4 npn KL3060+4041 (all)		-					
5 mei-2523 (belt)(25)	5 purge / stainless	5		5		-					
6 mei-3234 (belt)(32)	6 purge / stainless / xylan	6		6		-					
7 mei-5034 (belt)(50)	7	7		7		-					
8 mgm-3234 (belt)(32)	8	8		8		-					
9 mgm-5034 (belt)(50)	9	9		9		-					
A mas-2501 (screw)(25)	A	A		A		-					
B mas-3204(screw)(32)	B	B D1 (all)		B		-					
C mas-5004P(screw)(50)	C	C E1 (all)		C		-					
D mas-5008(screw)(50)	D	D E2 (all)		D		-					
E mai-2517 (screw)(25)	E	E E3 (all)		E		-					
F mai-3223 (screw)(32)	F	F E4 (all)		F		-					
G mai-5034 (screw)(50)	G	G A1+D1 (25,32)		G		-					
H mas-5008p (screw)(50)	H	H B1+D1 (25,32)		H		-					
J mei-5042 (belt)(50)	J	J C1+D1 (50)		J		-					
K mai-3101 (screw)(32)	K	K A1+E1 (25,32)		K		-					
L mai-3234 (screw)(32)	L	L B1+E1 (25,32)		L		-					
M mei-3223 (belt)(32)	M	M C1+E1 (50)		M		-					
N mai-2523 (screw)(25)	N	N A2+E2 (25,32)		N		-					
P mgm-3223 (belt)(32)	P	P C2+E2 (50)		P		-					
Q mgm-5034S (screw)(50)	Q	Q A3+E3 (25,32)		Q		-					
R mgm-3223S (screw)(32)	R	R		R		-					
S mes-3208 (belt)(32)	S	S C3+E3 (50)		S		-					
T Belt Gear 1:1 (Screw Only)	T	T B4+E4 (25,32)		T		-					
U Belt Gear 2:1 (Screw Only)	U	U C4+E4 (50)		U		-					
V	V	V		V		-					
W	W	W		W		-					
X	X	X		X		-					
Y Optional BHD (see below)	Y	Y		Y		-					
Z special	Z special	Z special		Z special		-					

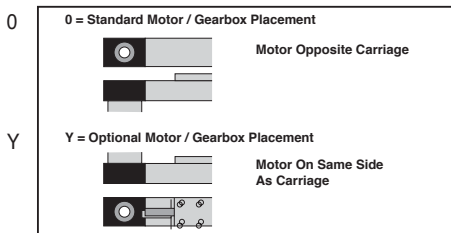
7* (BHD) Non-standard KB and KL dimensions must be specified on a separate line item (use "Z" in part number).

7* (BHD) Order motor mount and/or gearbox as a separate line item (contact customer service).

7* Contact customer service if non-standard motor mounting holes are required.

9* (BHD) Order supports as a separate line item.

9* Only one end support is supplied in the OSP-E part number. If more than one is required, please order additional end supports as a separate line item.



Electric Actuator Application Sheet

Distributor:

End-User:

Salesperson:

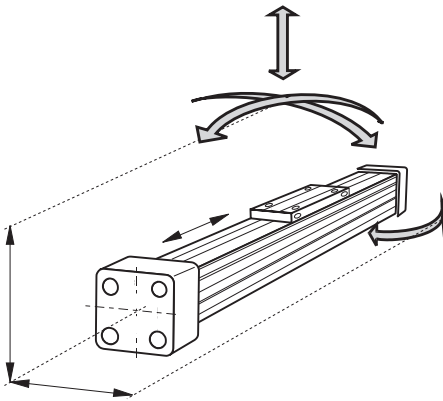
Phone:

Fax:

Stroke: _____ Time to make move: _____ Load: _____ Incline:

Check if load is externally supported

Actuator type:



M =

MS =

MV =

Description:

See Attached for info /a additional info

Special Features Required:

Switches Type _____ Qty. _____

Controller Needed

Servo Motor Needed

Stepper Motor Needed

Customer Supplied Motor